



TECHNICAL DATA  
FROM  
**Anemostat**<sup>®</sup>  
INTERNATIONAL

A MESTEK COMPANY

1220 WATSONCENTER ROAD  
CARSON, CA 90745-4206

(310) 835-7500 • FAX (310) 835-0448

e-mail: [door@anemostat.com](mailto:door@anemostat.com) • website: [www.anemostat.com](http://www.anemostat.com)

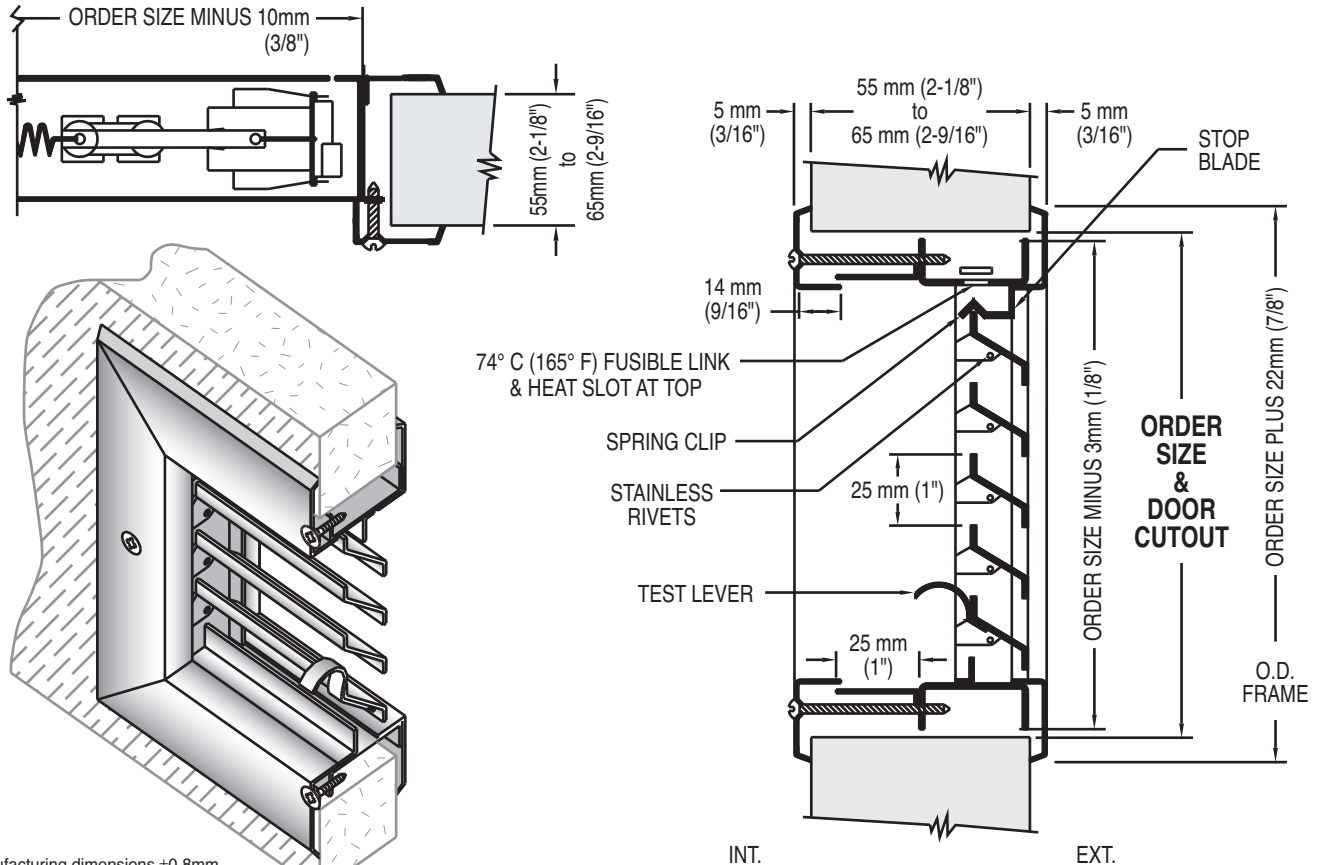
**FLDL-W1**  
**EXPANDABLE**

FUSIBLE LINK  
LOUVER

FIRE  
RATINGS

**B.S.-476.22**  
British Standard

DETAIL DRAWING



Anemostat manufacturing dimensions  $\pm 0.8\text{mm}$   
Actual dimensions are nominal and may vary  
based on component manufacturers tolerances.

**STANDARD PRODUCT FEATURES**

- **MATERIAL:** 1.2 mm (18 GA) Galvanised Steel Frame and Louver Blades, 1.5 mm (16 GA) inner support members.
- **FINISH:** RAL 9006 Silver Baked Enamel, Gray Primer, Beige or Bronze Baked Enamel
- **INSTALLATION:** Self attaching using #8 x 38mm (1-1/2") or 45mm (1-3/4") phillips head screws that fasten the auxiliary frame to the louver core, thru the cut out in the door. The corridor side of the frame is free of fasteners for added security.
- **DOOR THICKNESS:** Expandable from 55mm (2-1/8") to 65mm (2-1/2") Metal or Wood Doors
- **CLOSING ASSEMBLY:** Stainless steel operating springs assure proper action with the closing mechanism.
- **AESTHETICS:** Tight mitered corners and countersunk mounting holes make for a clean appearance.
- **USES:** In fire rated door applications.
- **FREE AIR FLOW:** 40% Free Area.

**OPTIONAL FEATURES (SPECIAL ORDER FROM FACTORY)**

- **MATERIAL:** #304 or #316 Stainless Steel, #4 Finish (Satin), Galvanised (Coil or Electro Plated). Not available in Hot Dipped or Aluminum.
- **FINISH:** Custom Baked Enamel Colors (as per sample chip supplied by customer).
- **FASTENERS:** Special security screw fasteners
- **SPECIALS:** Fractional sizes not available.

**FIRE RATINGS (BS 476.22)**

- **BS 476.22:** Steel Doors - 2 hours. Tested to 610mm x 610mm
- **IMPORTANT:** Interpretation of building and fire codes may vary. Consult with the local authority having jurisdiction in your area, to determine appropriate standards.
- **NOTE:** For Exterior use, High Humidity or Salt Air application, product must be Galvanized or Stainless Steel.

Job Name & Location	Submitted by